

PRODUCT INFORMATION PACKET



Model No: 090ST11FH6376
Catalog No: R314A
1,1200,TEFC,90S,3/60/230/460
TEFC

Regal and Marathon are trademarks of Regal Beloit Corporation or one of its affiliated companies.
©2018 Regal Beloit Corporation, All Rights Reserved. MC017097E





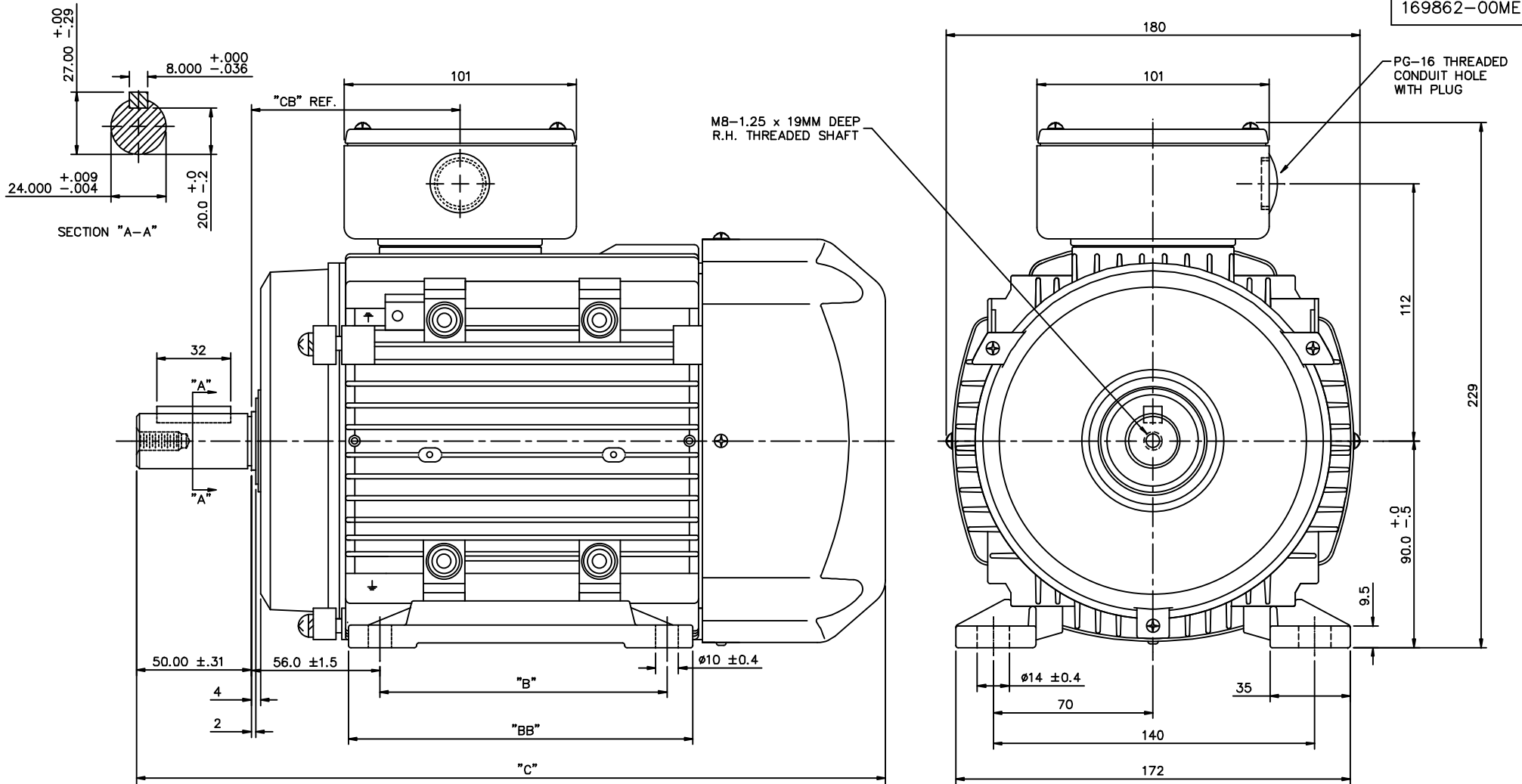
Nameplate Specifications

Output HP	1 Hp	Output KW	0.75 kW
Frequency	60 Hz	Voltage	230/460 V
Current	3.2/1.6 A	Speed	1155 rpm
Service Factor	1.15	Phase	3
Efficiency	82.5 %	Duty	Continuous
Insulation Class	F	Design Code	B
KVA Code	K	Frame	90S
Enclosure	Totally Enclosed Fan Cooled	Overload Protector	No
Ambient Temperature	40 °C	Drive End Bearing Size	6205
Opp Drive End Bearing Size	6205	UL	Recognized
CSA	Y	CE	Y
IP Code	55		

Technical Specifications

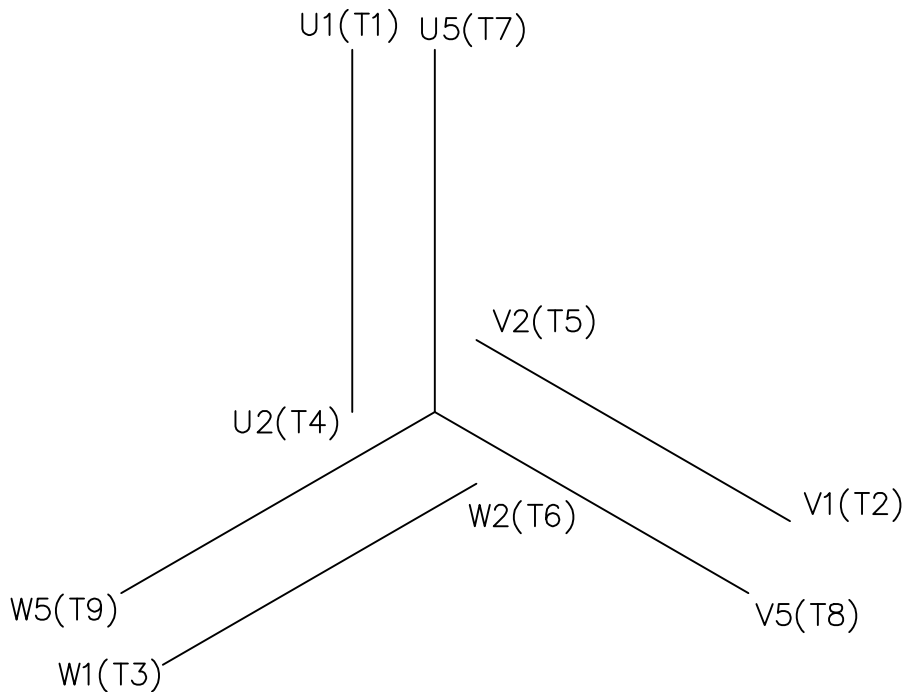
Electrical Type	Squirrel Cage Inverter Rated	Starting Method	Line Or Inverter
Poles	6	Rotation	Reversible
Mounting	B3	Motor Orientation	Horizontal
Drive End Bearing	Ball	Opp Drive End Bearing	Ball
Frame Material	Aluminum	Shaft Type	IEC
Overall Length	12.83 in	Shaft Diameter	1.000 in
Shaft Extension	1.96 in	Assembly/Box Mounting	F3
Outline Drawing	16986200ME	Connection Diagram	00546501ME

This is an uncontrolled document once printed or downloaded and is subject to change without notice. Date Created: 06/29/2018



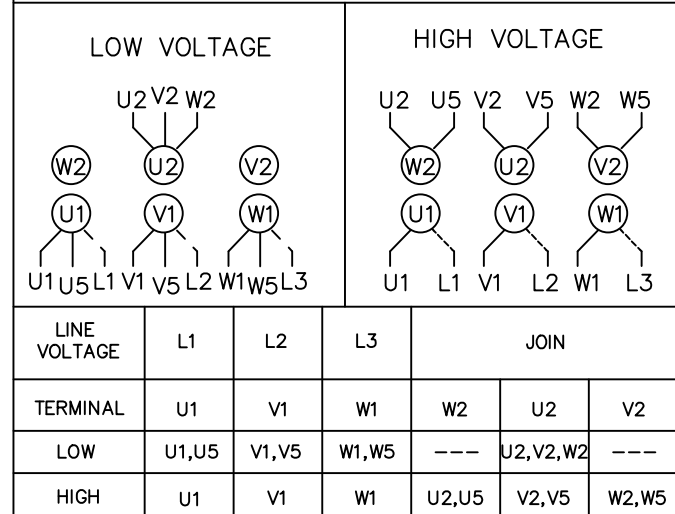
FRAME DESIGN	"B"	"BB"	"CB"	"C"
90L	125 \pm 0.7	150	91	341
90S	100 \pm 0.7	125	79	326

TOLERANCES UNLESS SPECIFIED		MARATHON ELECTRIC		DRAWN	ADS 01/24/02
DEC.	METRIC			CHK	
.X	± 2.5			APPD	
.XX	± 0.76	TITLE		SCALE	1=1.6
.XXX	± 0.127	METRIC OUTLINE, IMB3		REF	OSVC-300-551
.XXXX	± 0.0127	IEC-90 FRAME		FMF	
		MATERIAL		PREV	
		ALUMINUM			
NO.	REVISION	BY & DATE	CHK	ANG	$\pm 1/2'$
THIS DRAWING IN DESIGN AND DETAIL IS OUR PROPERTY AND MUST NOT BE USED EXCEPT IN CONNECTION WITH OUR WORK ALL RIGHTS OF DESIGN AND INVENTION ARE RESERVED THIS IS AN ELECTRONICALLY GENERATED DOCUMENT - DO NOT SCALE THIS PRINT			RFP	CAD FILE	16986200ME
			DIST	SIZE	DRAWING NO.
				B	169862-00ME
					REV.

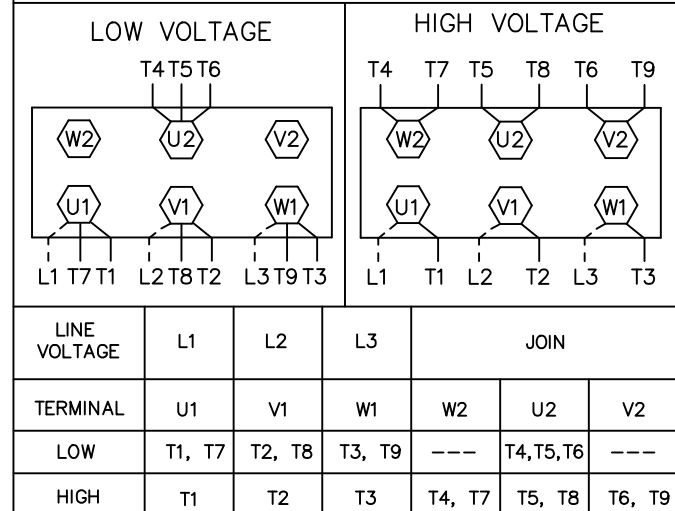


REF. DECAL (IEC) 080644
REF. DECAL (NEMA) 080446

IEC MARKINGS



NEMA MARKINGS



		TOLERANCES UNLESS SPECIFIED				DRAWN JGO 3/10/04			
		DEC.	INCHES			CHK SB 02-17-2010			
		.X	±.1			APPD MJS 02-17-2010			
		.XX	±.01			SCALE 1=1			
		.XXX	±.005			REF			
		.XXXX	±.0005	MAT'L. IEC/NEMA MARKINGS		FMF			
NO.	REVISION	BY & DATE	CHK	ANG	±1/2'	FINISH	PREV		
THIS DRAWING IN DESIGN AND DETAIL IS OUR PROPERTY AND MUST NOT BE USED EXCEPT IN CONNECTION WITH OUR WORK ALL RIGHTS OF DESIGN AND INVENTION ARE RESERVED THIS IS AN ELECTRONICALLY GENERATED DOCUMENT - DO NOT SCALE THIS PRINT			RFP	02-17-2010	CAD FILE	00546501ME	SIZE A	DRAWING NO. 005465ME-01	REV.

CERTIFICATION DATA SHEET

Model#: 90ST11FH6376 A WINDING#: QT9066 FR 3
CONN. DIAGRAM: 00546501ME ASSEMBLY: F3
OUTLINE: 16986200ME

TYPICAL MOTOR PERFORMANCE DATA

Table with 8 columns: HP, KW, SYNC. RPM, F.L. RPM, FRAME, ENCLOSURE, KVA CODE, DESIGN. Values: 1&1, .75&.75, 1200, 1155&945, 90S, TEFC, K, B

Table with 10 columns: PH, Hz, VOLTS, FL AMPS, START TYPE, DUTY, INSL, S.F, AMB°C, ELEVATION. Values: 3, 60/50, 230/460#200/400, 3.2/1.6&3.6/1.8, LINE OR INVERTER, CONTINUOUS, F5, 1.15/1.15, 40, 3300

Table with 6 columns: FULL LOAD EFF, 3/4 LOAD EFF, 1/2 LOAD EFF, GTD. EFF, ELEC. TYPE, NO LOAD AMPS. Values: 82.5&80, 81.9, 78.6, 0, SQ CAGE INV RATED, 2.2 / 1.1

Table with 5 columns: F.L. TORQUE, LOCKED ROTOR AMPS, L.R. TORQUE, B.D. TORQUE, F.L. RISE°C. Values: 4.541 LB-FT, 20.4 / 10.2, 10.71 LB-FT 236, 15.7 LB-FT 346, 25

Table with 7 columns: SOUND PRESSURE @ 3 FT., SOUND POWER, ROTOR WK^2, MAX. WK^2, SAFE STALL TIME, STARTS /HOUR, APPROX. MOTOR WGT. Values: - dBA, - dBA, 0 LB-FT^2, - LB-FT^2, 10 SEC., -, 0 LBS.

*** SUPPLEMENTAL INFORMATION ***

Table with 9 columns: DE BRACKET TYPE, ODE BRACKET TYPE, MOUNT TYPE, ORIENTATION, SEVERE DUTY, HAZARDOUS LOCATION, DRIP COVER, SCREENS, PAINT. Values: STANDARD, STANDARD, B3, HORIZONTAL, FALSE, NONE, FALSE, NONE, BLUE (ENAMEL)

Table with 8 columns: BEARINGS (DE, OPE), GREASE, SHAFT TYPE, SPECIAL DE, SPECIAL ODE, SHAFT MATERIAL, FRAME MATERIAL. Values: BALL, BALL, POLYREX EM, STANDARD IEC, NONE, NONE, AISI 1045 (C-240), ALUMINUM

Table with 7 columns: THERMO-PROTECTORS (THERMOSTATS, PROTECTORS, WDG RTDs, BRG RTDs), THERMISTORS, CONTROL, SPACE /n HEATERS. Values: NONE, NOT, NONE, NONE, NONE, FALSE, NONE VOLTS

If Inverter equals NONE, contact factory for further information

Table with 4 columns: INVERTER TORQUE, INV. HP SPEED RANGE, ENCODER, BRAKE. Values: CONSTANT 20:1, 1.5 X BASE SPEED, NONE, NONE, NONE PPR, NONE, NONE, NONE, NONE P/N, NONE, NONE, NONE FT-LB, NONE V, NONE Hz

*
N
O
T
E
S
*